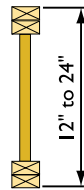
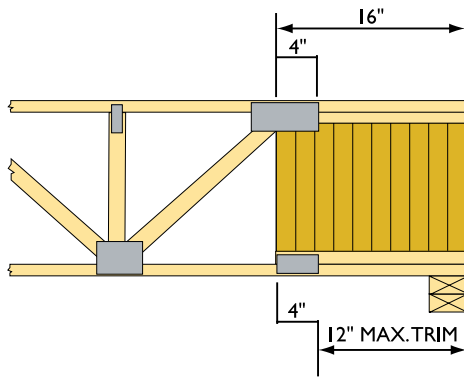
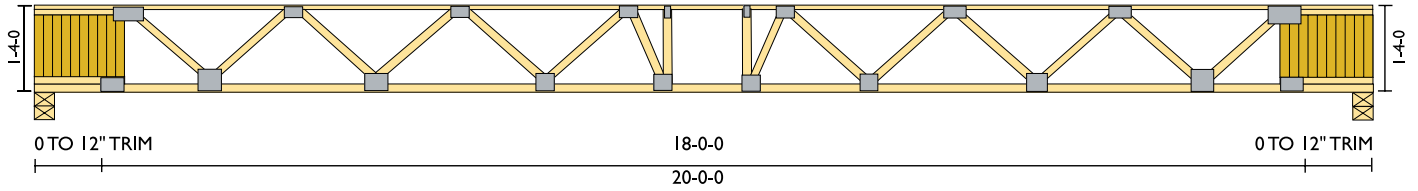
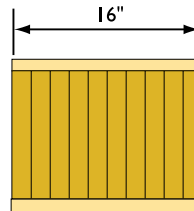


See detail below for trim-able end detail.



TRIM FIT I-BLOCK
PLATED IN PLANE OF TRUSS



Independent third party testing by PFS ensures proven quality & shows end reactions superior to other product options.



All photos and graphics are for example purposes only and are illustrative of the variety of configurations that can be designed through your truss manufacturer. Specific lumber, truss plate, bearing, etc. details regarding any truss design will be provided by the Truss Designer.